

8

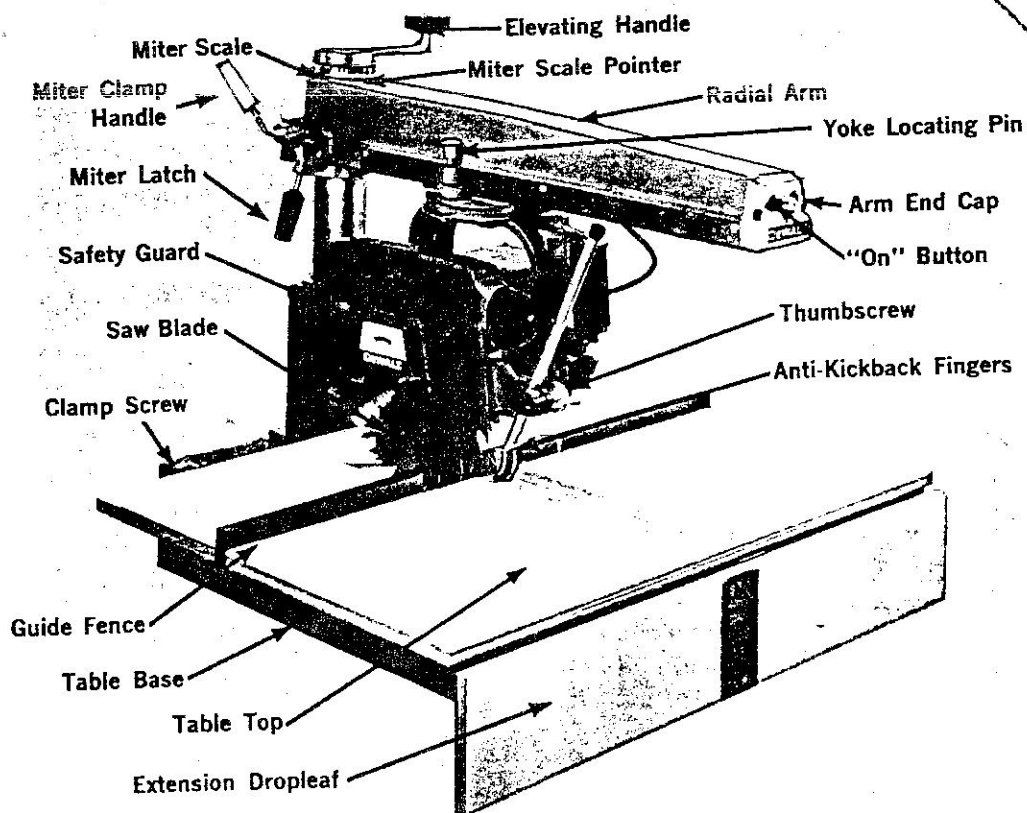
STUDY GUIDE RADIAL ARM SAW SAFETY

NAME: _____

CLASS OR PERIOD: _____

DATE OF INSTRUCTION: _____

1. Get permission from your instructor before you use the radial arm saw.
2. For normal operation, the saw should be set for making 90 degree crosscuts. Get permission before you make any changes in the set-up or make any other type of cut.
3. Be sure the blade is sharp, in good condition, and installed correctly.
4. Check the depth adjustment of the saw. The blade should be set about 1/16 inch below the surface of the table.
5. Be sure the safety guards are in place before you use the saw.
6. Before you turn on the power, release the carriage lock knob and pull the motor and blade toward you. This is to make sure it moves freely along the track arm.
7. There are a number of adjustment knobs and levers on the saw. Be sure they are set securely and locked. (All except the carriage lock, which should be released.)
8. Don't cut long material on the saw without an extension table to support the stock.
9. The blade must be clear of the material before the saw is turned on. Line the material up against the fence and make sure the blade remains clear of it.
10. *Never* try to cut free-handed! The stock must be positioned firmly against the fence and against the surface of the table.
11. Wait for the saw to come up to full speed before starting the cut.
12. Don't over-load the saw. Make sure the material isn't too thick for the size of the saw.
13. Don't force the saw. Don't try to cut too fast.
14. Control the speed of the cut. The direction in which the blade turns *pulls* the saw into the cut. You may have to push against the handle to keep it from cutting too fast or climbing the material.
15. Keep a margin of safety. Keep your hands and arms a safe distance from the blade and out of the path of the cut.
16. Keep your arms parallel. *Never* cross your arms while using this saw. Hold the material against the fence with one hand and control the saw with the other hand, but keep your arms *parallel* when you operate the saw.
17. When the cut is finished, return the motor and blade to the rear of the track arm. Don't remove *any* material until the motor and blade are all the way at the back of the track arm.
18. Don't measure the material or make any adjustments to the saw while it's running. Turn off the saw and wait for it to come to a complete stop before you measure or make any adjustments.
19. The area around the blade and along the fence must be kept clear of scraps and sawdust. *Don't* use your hands to do this! Use a brush or a piece of scrap to clear the saw table. The safest way is with the saw turned off and stopped.
20. When you're finished, turn off the saw and stay with it until it has come to a complete stop. *Never* leave power equipment while it is still running or coasting.



RADIAL-ARM MACHINE CONTROLS. The versatility of the radial-arm machine is due, in part, to its controls, and these are the keys to its successful operation. Learn to use them by ad-

justing the machine for all operations before actually starting to operate it. All controls, as well as the major parts of the radial-arm machine, are shown and identified here.

